

WARING COMMERCIAL®

7009G

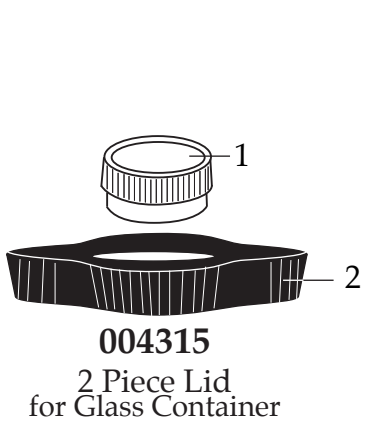
Blender with Tachometer Jack and Glass Container

7009S

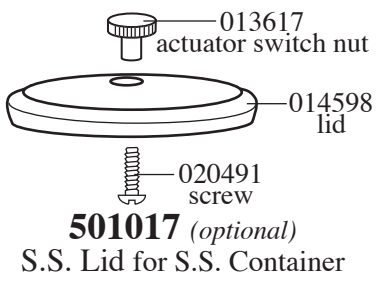
Blender with Tachometer Jack and Stainless Steel Container

7009L

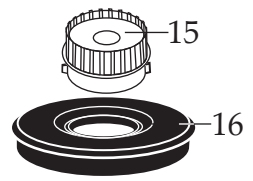
Laboratory Blender with Stainless Steel Container



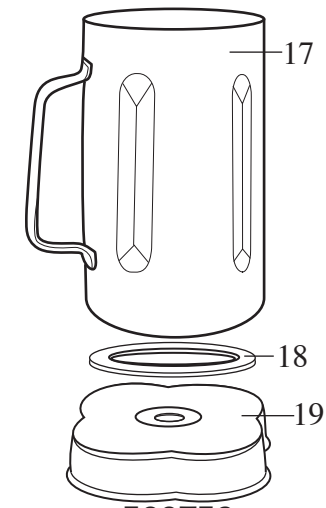
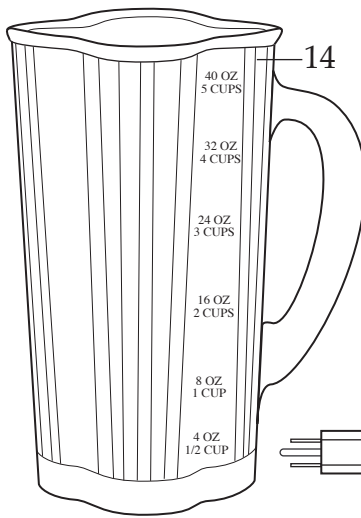
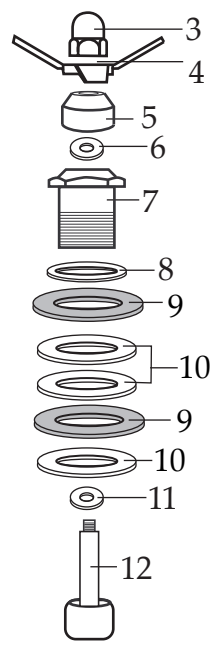
004315
2 Piece Lid
for Glass Container



501017 (optional)
S.S. Lid for S.S. Container



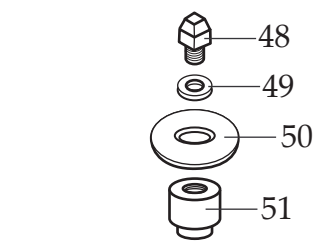
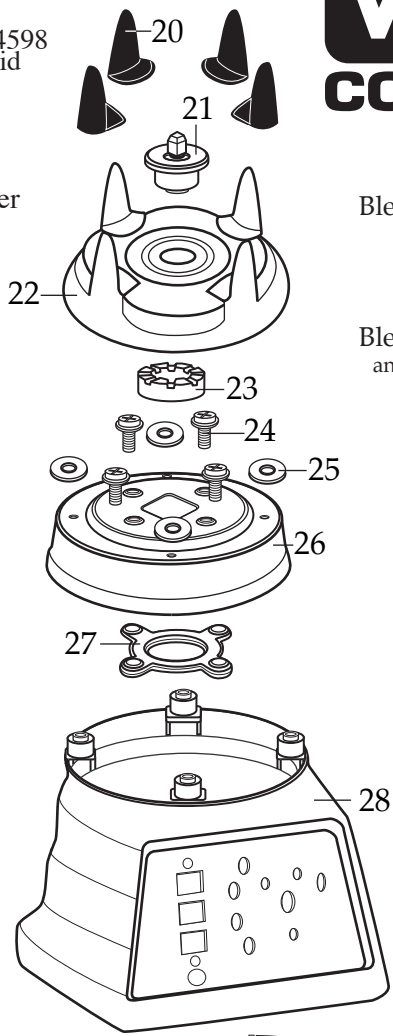
500665
2 Piece Lid
for S.S. Container



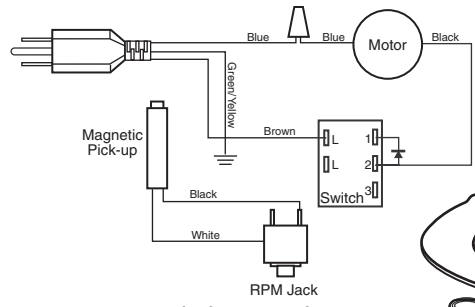
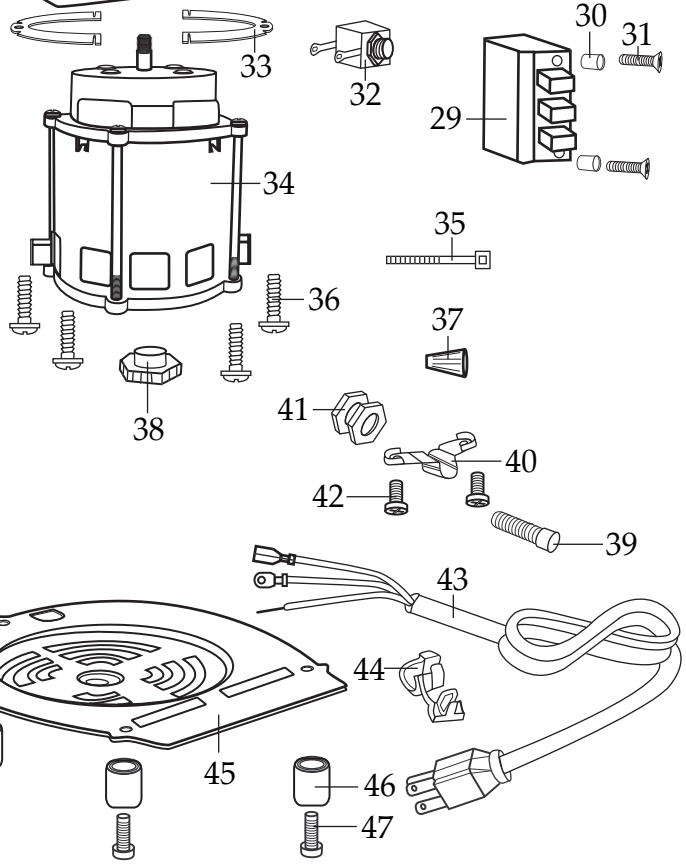
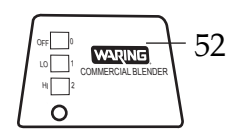
500758
Container / stainless steel
with Blending Assy.

008065
Container / stainless steel
with Blending Assy.
and Lid

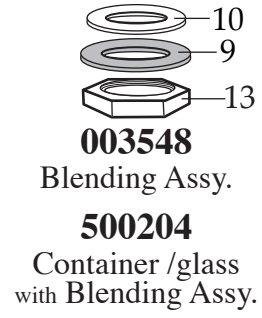
003548
Blending Assy.
(same as glass container)



003559
Drive Coupling
(parts that can be purchased separately)



Wiring Diagram



003548
Blending Assy.
500204
Container / glass
with Blending Assy.

Catalog

7009G 36BL12 – HGBRWTG4 – HGBTAC30
 7009S 36BL12 – HGBRWTS3 – HGBTAC30
 7009L 37BL39 – HGBRWTS3

Model

Waring Factory Service Center
 314 Ella T. Grasso Ave.
 Torrington, CT 06790
 Tele. 1-800-269-6640

Fax 860-496-9017
 www.waringproducts.com

Illustration #	Part #	Description
1	003146	Center Lid
2	003574	Outer Lid /clover leaf
3	003504	Cap Nut
4	003540	Blade
5	003503	Bearing Cap
6	003508	Washer /nitrule
7	010012	Bearing Holder
8	009724	Washer /nylon
9	003537	Washer /stainless steel 3 Req.'d
10	003509	Washer /neoprene (rubber) 4 Req.'d
11	003510	Washer /linen-phen.
12	003500	Shaft
13	009780	Hex Nut /left handed thread
14	003573	Glass Container /40 oz. = 5 cups
15	011700	Center Lid
16	013443	Outer Lid
17	012860	Stainless Steel Container /32 oz.
18	009762	Gasket
19	015055	Container Base Adapter
20	003498	Jar Pad 4 Req.'d
21	003559	Coupling Assy.
22	018996	Jar Holder
23	018596	Housing Seal
24	025729	Sems 4 Req.'d (<i>current production & 2nd generation</i>)
	003578	Sems 4 Req.'d (<i>older units</i>)
25	003538	Washer 4 Req.'d
26	017290	Motor Bracket
27	025666	Motor Spacer Plate
28	016502	Base /7009G, 7009S
	010416	Base /7009L
29	016043	Switch
30	003580	Spacer 2 Req.'d
31	007783	Screw 2 Req.'d
32	015294	3 Conductor Jack /7009G, 7009S
33	025663	Baffle 2 Req.'d (<i>current production & 2nd generation</i>)
	003513	Baffle (<i>older units</i>)
34	028156	Motor (<i>current production</i>)
	025722	Motor (<i>2nd generation</i>)
	702699	Motor (<i>older units</i>)

Catalog

7009G

7009S

7009L

Model

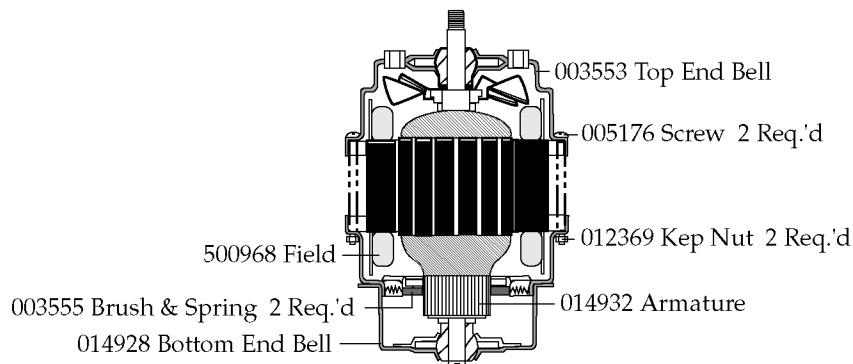
36BL12 – HGBRWTG4 – HGBTAC30

36BL12 – HGBRWTS3 – HGBTAC30

37BL39 – HGBRWTS3



Illustration #	Part #	Description
35	013731	Cable Tie /7009L
36	005240	Sems 4 Req.'d
37	009051	Wire Nut
38	027233	Pick-up Exciter Wheel /7009G, 7009S (current production & 2nd generation)
	025778	Pick-up Exciter Wheel /7009G, 7009S (older units)
	015296	Exciter /7009G, 7009S (older units)
39	025773	Magnetic Pick-up (current production & 2nd generation)
	015295	Magnetic Pick-up (older units)
40	026255	Magnetic Pick-up Bracket (current production & 2nd generation)
	015297	Pick-up Mounting Bracket (older units)
41	026983	Magnetic Pick-up Nut 2 Req.'d (current production & 2nd generation)
	015378	Pick-up Mounting Clamp (older units)
42	025775	Screw 2 Req.'d (current production & 2nd generation)
	011179	Screw 2 Req.'d(older units)
43	501162	Cord Set
44	013680	Strain Relief (current production & 2nd generation)
	016410	Clamp (older units)
	002962	Screw (older units)
45	025776	Bottom Plate ONLY(current production & 2nd generation)
	502756	Bottom Plate Assy. w /Cord Set (current production & 2nd generation)
	501282	Bottom Plate Assy w /Cord Set (older units)
46	002891	Foot 3 Req.'d
47	013658	Screw 3 Req.'d (current production & 2nd generation)
	003569	Screw 3 Req.'d(older units)
48	003515	Square Drive Stud
49	003507	Washer
50	003514	Slinger
51	003558	Coupling
52	016503	Name Plate /7009G, 7009S
	010163	Name Plate /7009L

**702699 Motor***Older Units*

Limited Availability Assembly and Parts

Items Not Shown

005616 - Terminal 2 Req.'d

003262 - Rectifier (diode) (older units)